

Service Bulletin

Fuel Systems

Bulletin No.: RS-47

Date: 10-1-77

Revised: _____

Subject: INCORPORATION OF REVISED MIXTURE CONTROL STEM BUSHING

1. PLANNING INFORMATION:

A. EFFECTIVITY:

All RSA-5 and RSA-10 Fuel Injectors.

B. REASON:

To provide increased clearance between mixture control bushing and spring pin.

C. DESCRIPTION:

Refer to applicable overhaul manuals for removal and installation instructions.

D. COMPLIANCE:

Operating Activities: Information only.

Overhaul Activities: "Comply at overhaul".

E. APPROVAL:

None.

F. MANPOWER:

No additional man-hours required if the new part is installed during normal overhaul.

G. MATERIAL AVAILABILITY:

<u>Model</u>	<u>Part No.</u>	<u>Nomenclature</u>	<u>Availability</u>
RSA-5/10	2540108	Bushing	Bendix Products Support Centers

H. TOOLING:

Not affected.

1. PLANNING INFORMATION: (Continued)

I. WEIGHT AND BALANCE:

No change.

J. REFERENCES:

None.

K. PUBLICATIONS AFFECTED:

All RSA-5 and RSA-10 Manuals.

2. ACCOMPLISHMENT INSTRUCTIONS:

A. RSA-5 and -10

- (1) During the course of the normal overhaul of affected units, remove the mixture control stem bushing by referring to the disassembly instructions in the applicable overhaul manual.
- (2) Replace old bushing Part No. 2538328 (Figure 1) with new bushing Part No. 2540108 (Figure 2).
- (3) If the new bushing Part No. 2540108 has been installed during a previous overhaul, inspect the bushing for any damage and subsequent replacement.
- (4) Refer to the assembly instructions in the applicable overhaul manual to perform reassembly of the mixture control stem bushing into the Basic Injector Assembly.

B. IDENTIFICATION:

Visual.

3. MATERIAL INFORMATION:

<u>New P/N</u>	<u>Qty</u>	<u>Nomenclature</u>	<u>Old P/N</u>	<u>Disposition</u>
2540108	1	Bushing	2538328	Scrap

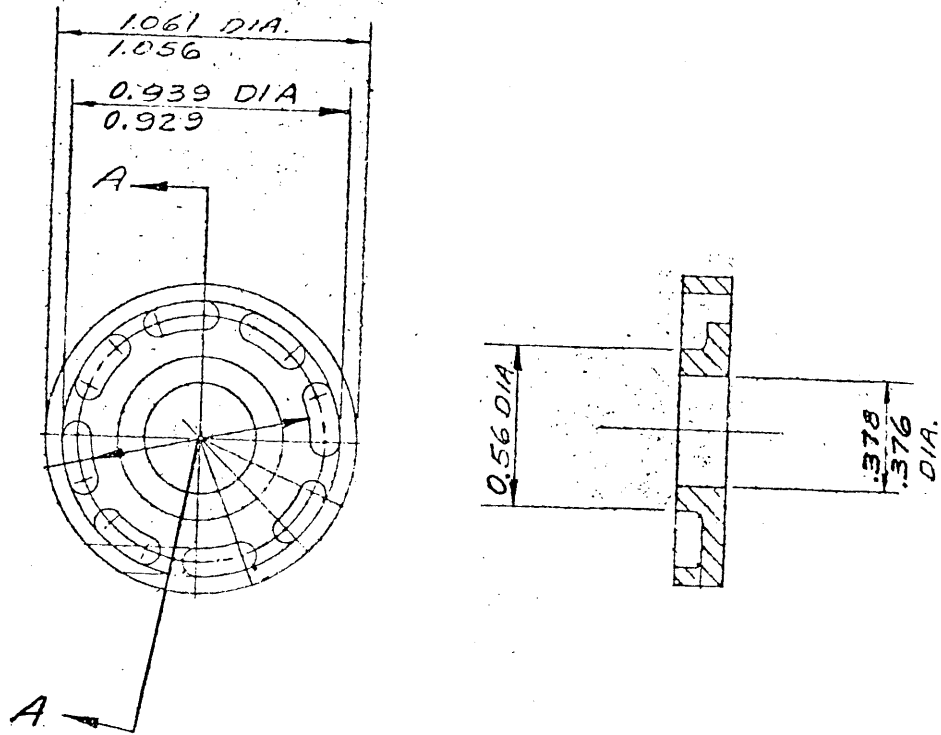


Figure 1. Old Bushing P/N 2538328

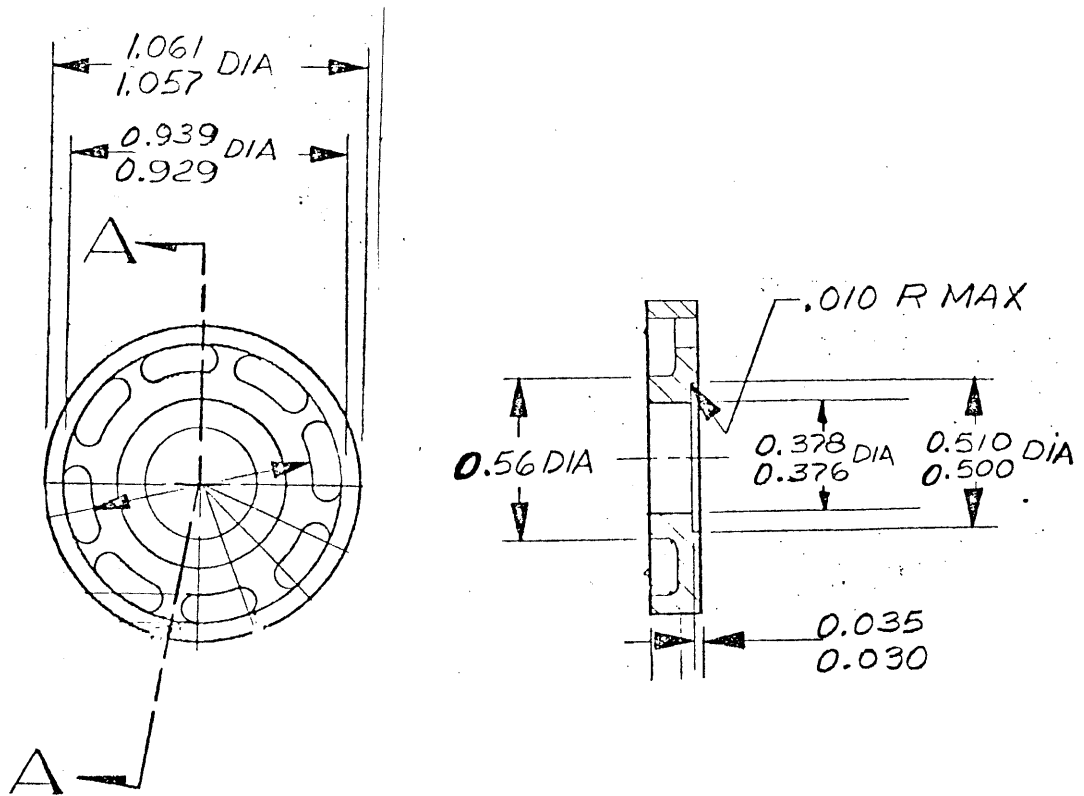


Figure 2. New Bushing P/N 2540108