

Service Information Letter - Fuel Systems

SUBJECT: RSA FUEL INJECTOR REGULATOR BRASS HEX PLUG P/N 383493.

PURPOSE: To alert all overhaul facilities of dimensional differences of the old P/N 383493 plug versus the new.

REFERENCES: Light Aircraft Fuel Control "Newsletter #13", dated 19 February 1968.

P/N 383493 is the brass hex plug that is now installed in all RSA Fuel Injector regulator covers.

The overall dimension from the top of the plug to the end of the threads was changed in 1968 from one-half inch to 25/64 inch.

Some of the older P/N 383493 plugs fabricated to the 1/2 inch dimension are showing up in the field. Since the longer plug may touch the air diaphragm when adverse tolerance build-up occurs, the plug must be reworked before further use.

Figure 1 shows the dimension of the older P/N 383493 plug versus the new P/N 383493 plug.

Figure 2 shows how to rework the older plug to the new.

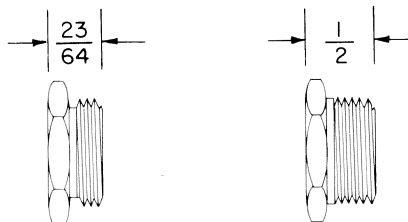


Figure 1.



**Energy Controls
Division**

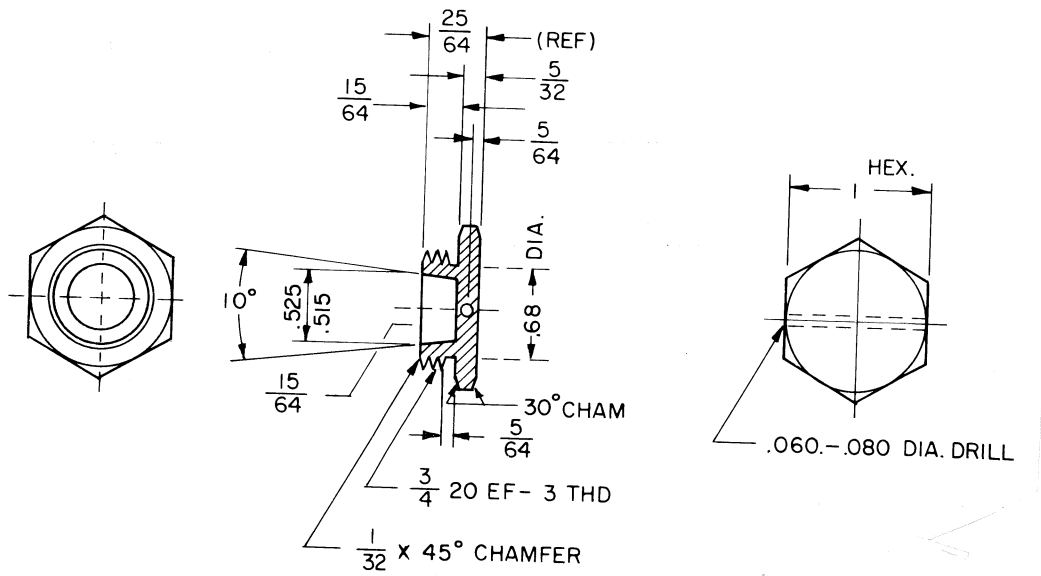


Figure 2.

K. R. Dettweiler
K. R. Dettweiler
Manager of Service